

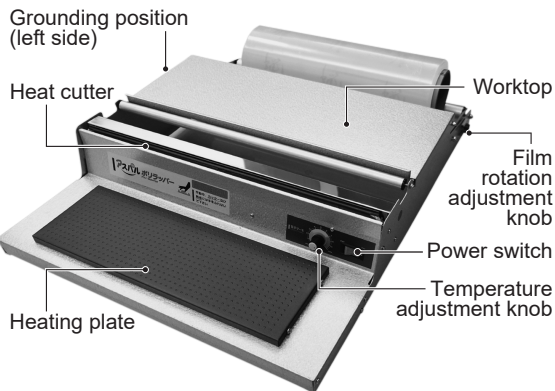
User Manual

Thank you for purchasing this product. Read this User's Manual before using this product, and make sure to use the product correctly. Misuse may result in malfunction or unexpected accidents or hazards.

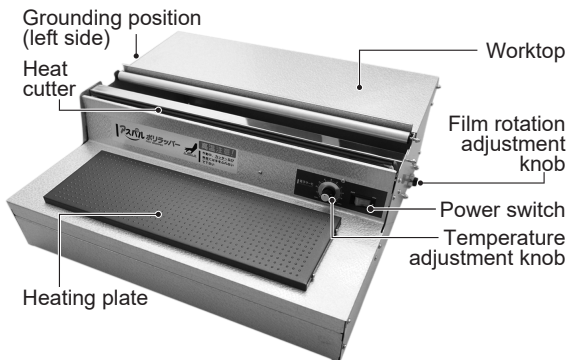
- Save These Instructions -

1. Names of parts

**U-45PN
U-450JP**



**B-45PN
B-450JP**



2. Safety Precautions - Important Safeguards -

Items shown here are categorized as **⚠ Warning** or **⚠ Caution**.

⚠ Warning

This indicates death or serious injury may result if this label is not heeded and the product is used improperly.

⚠ Caution

This indicates that injury or property damage may result if this label is not heeded and the product is used improperly.

⚠ Warning

- Avoid contact with water, which can result in a short or electric shock.
- Close supervision is necessary when any appliance is used near children. Children should not operate.
- Do not touch the power plug with wet hands. This may result in burn or shock.
- Use an appropriate outlet exclusively. Overloaded outlets may cause overheating or fire.
- Only a certified repairman should perform any dismantling, repairs or modifications. Always unplug the appliance from the outlet for repair. Fire or abnormal operation may result in injury.
- Turn "OFF" the power button and pull out the power plug before replacing the film and parts or performing maintenance. Do not touch the power plug or parts with wet hands. Otherwise, this may cause injuries or electric shock.

- Do not allow foreign objects, such as metal including pins and wires, to enter the gap of the product. Failure to do so may result in electric shock or short.
- Wipe away any dirt on the plug. Grime may cause fire.
- Do not use the product in the following environment:
 - ※ Places where dust, dirt or corrosive gas may be generated.
 - ※ Unstable area or near fire source.
 - ※ Wet or high humidity places.
 This may lead to a failure or a serious accident, such as an electric shock.
- Unplug the power plug when not in use. Failure to do so may result in burns, electric shock, electric leakage or fire.
- Do not use it for purposes other than film wrapping. Otherwise, failure or an accident may result.
- Do not use an unstable outlet or a damaged cord or plug. Failure to do so may result in electric shock, short or fire.

⚠ Caution

- Do not give a strong impact, such as dropping the unit.
- Do not touch the cutter blade, heating plate, or the surrounding area during or after use.
- Do not place heavy objects on the power cord, apply excessive force, deform or bundle it. Damaging the power cord may cause electric shock or fire.
- Grasp plug to remove the cord from the receptacle outlet. Failure to do so may result in cord damage, electric shock, short or fire.
- Turn off the power switch immediately after use or when any abnormality, such as an abnormal smell or smoke is detected. Otherwise, this may cause an accident.
- Do not attempt to carry the main unit only by holding the power cord. Otherwise, this may cause a failure or an accident.
- Do not unplug the power cord while the product is in use. The product does not work when the power cord is not properly plugged in or falls off.
- Do not carry the machine with film attached to it. Otherwise, it may result in injury or malfunction.
- Do not use this product for any other purpose than for wrapping with stretch film.

⚠ Additional Safety Instructions

- Do not expose the machine to cold air or use it in a cold environment. Otherwise, it may become difficult to cut the film, or the temperature of the heating plate will not be able to rise to the specified temperature.
- Do not use strong solvents such as benzene or thinner when cleaning. This may deform, discolor or damage the unit.

*To prolong the effective life of the machine, please perform daily-cleaning after use.

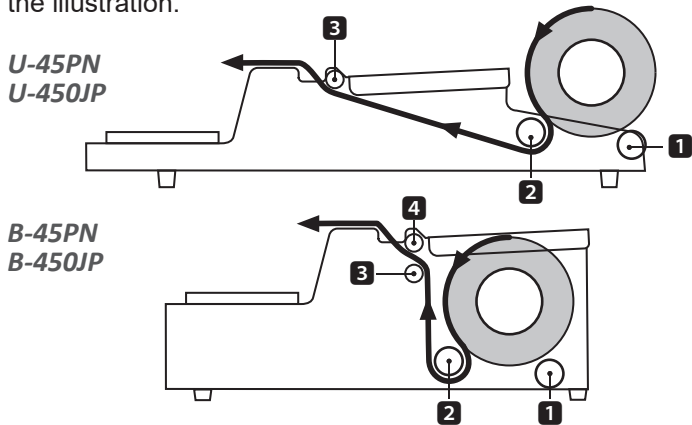
3. Specifications

Model	U-45PN	U-450JP	B-45PN	B-450JP
Size of machine	504×600×131mm		504×450×200mm	
Size of heating plate	375×122mm			
Weight	5.7kg		6.4kg	
Maximum film width	450m			
Maximum film length	1,000m		750m	
Power supply	100V	220V	100V	220V
Power consumption	165W	185W	165W	185W

4. Operating Instruction

4-1. How to set the film

Pass the film through ③ or ③④ and pull it out as shown in the illustration.



4-2. How to operate

- 1 Turn on the power, and turn the temperature adjustment knob to adjust the temperature of the heating plate.
- 2 After a few minutes, as a test cut the film and make sure that the temperature of the cutter blade has risen sufficiently.
- 3 Put the content for packing on the worktop and pull out the film to wrap the content.
- 4 Pull the film together with the content to the front and cut the film with the cutter blade.
- 5 Stretch the film portion that is protruding from both ends of the package, attach it to the bottom thereof, then attach the bottom to the heating plate to weld it.

Warning Raising the temperature more than necessary will shorten the service life of the heater.

Caution Do not touch the cutter blade, heating plate or the surrounding heated area during or after use. Otherwise it may result in a burn.

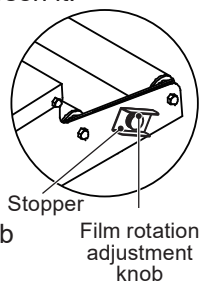
4-3. How to adjust the rotation of the film

If it is difficult to pull out the film or it is pulled out too much, use the rotation adjustment knob to adjust it.

- 1 Turn the stopper counterclockwise to loosen it.

- 2 Turn the rotation adjustment knob to adjust the rotation appropriately.
 - If it is difficult to pull out the film, turn the knob counterclockwise to loosen it.
 - If you pull out the film too much, turn the knob clockwise to tighten it.

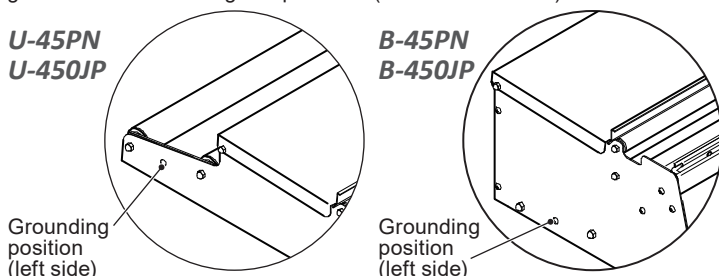
- 3 After adjustment, turn the stopper clockwise to prevent the adjustment knob from loosening, and tighten and fix it.



How to attach the ground wire

Attach the ground wire in the hole on the opposite side of the brake knob.

The ground wire is not included. Please use a commercially available ground wire when using this product. (Screw size M5 x 4)



5. Care

Warning

Be sure to unplug the power cord from the outlet before work.

Cleaning

- After operation, cleanly remove any dirt or dust that may have fallen into the grooves in front of and behind the cutter blade.
- After operation, wipe off any film or dirt that may have adhered to the cutter blade and the heating plate with a cloth.

Caution Do not use a kitchen knife, scraper, or other metal objects to scrape this product to remove dirt, which may cause peeling off of the coating, damage the wiring and machine body, and result in electric shock.

Lubrication

- If the rollers make an unusual noise or it is difficult to pull out the film, please apply food machine lubricant.

5-1. Troubleshooting

The power does not turn on

- Make sure that the power cord is plugged into the outlet and not about to fall off.
- Make sure that the board connector is not disconnected or nearly disconnected.

-Is the wiring or power cord damaged?
⇒ Stop using immediately and repair it.

The temperature of the heating plate or cutter blade does not rise, or does not rise sufficiently

- Make sure that the machine is not exposed to cold air or used in a cold environment.

-Is the setting of the temperature adjustment knob too low?

- Make sure that the power cord is plugged into the outlet and not about to fall off.

-Make sure that the board connector is not disconnected or nearly disconnected.

-Is the board connector properly inserted?

-Is the wiring damaged or broken? ⇒ Stop using immediately and repair it.

The film is hard to cut off.

-Does the film rotate too lightly?

-Is the cutter blade free of dust and dirt?

-Has the surface coating of the cutter blade peeled off?

-Make sure that the machine is not exposed to cold air or used in a cold environment.

-Is the wiring damaged or broken? ⇒ Stop using immediately and repair it.

The power cord or plug is extraordinarily hot.

● The power cord or plug has deep scratches or deformation.

● There is a smell of burning.

● Moving the power cord may interrupt the electric current.

● An electric shock is experienced when touching the machine.

Stop using the machine and repair it immediately. To prevent failures or accidents, turn off the power switch and pull out the plug from the outlet, consult our company or the store where you made the purchase for inspection and repair.

Warranty

Warranty period :

Model No. :

Name :

Address :

TEL :

Store of purchase :

Date of purchase :

*Fill in the required information and keep in a safe place.

1. We guarantee quality only for use under normal conditions during the warranty period. If your product has a malfunction or defect, we will repair it at no charge using our prescribed methods. Bring the product along with the warranty to the store where you purchased the product.

2. In the following cases, we will charge a fee for repair even during the warranty period.

(1) If no warranty is shown.

(2) If the required information is not filled in or is rewritten.

(3) If the malfunction was caused by misuse.

(4) If the malfunction was caused by impact during shipment or movement by the customer.

(5) Malfunction and damage caused by nature, pollution, abnormal voltage, or other outside factor.

3. If it is determined that the customer independently altered or repaired the product, it will not be accepted for repair during the warranty period.

4. Repairs and replacements of supplies that are consumed or deteriorate will incur a charge even during the warranty period.

5. The company will not be liable for direct or indirect damage caused by malfunction or use of the product.

6. Expenses for sending or bringing a product for repair are the responsibility of the customer.

7. Keep the warranty in a safe place. Warranties will not be reissued.

※Specifications and appearance are subject to change without notice for improvement.

Product website



Parts list

